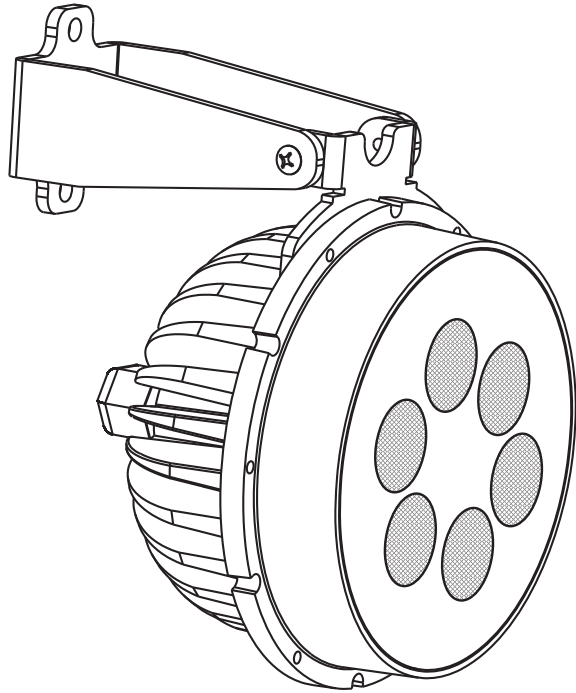


*Contest*<sup>®</sup>  
architecture



COMPACT PROJECTOR WITH 6 RGB LEDs

**CEIL6TC-MKII**

**USER GUIDE**

10658 - Version 1 / 01-2017

# 1 - Safety information

## Important safety information



Any maintenance procedure must be performed by a CONTEST authorised technical service. Basic cleaning operations must thoroughly follow our safety instructions.



This product contains non-isolated electrical components. Do not undertake any maintenance operation when it is switched on as it may result in electric shock.



**CAUTION**  
RISK OF ELECTRIC SHOCK  
DO NOT OPEN



**WARNING :** This unit contains no user-serviceable parts. Do not open the housing or attempt any maintenance by yourself. In the unlikely even your unit may require service, please contact your nearest dealer.



### Warning

This product is equipped with Class 2 LEDs. Please avoid looking directly at the beam as it may cause severe eye injuries.



### Risk of electric shock

In order to avoid any electrical malfunction, please do not use any multi-socket, power cord extension or connecting system without making sure they are perfectly isolated and present no defect.



### Recycling your device

- As HITMUSIC is really involved in the environmental cause, we only commercialise clean, ROHS compliant products.
- When this product reaches its end of life, take it to a collection point designated by local authorities. The separate collection and recycling of your product at the time of disposal will help conserve natural resources and ensure that it is recycled in a manner that protects human health and the environment.



**Note :** The legislation requires that every device set up in a public space features a double fixation bracket. This security system must hold 10 times the weight of the device.

## Symbols used



This symbol signals an important safety precaution.



The CAUTION symbol signals a risk of product deterioration.



The WARNING symbol signals a risk to the user's physical integrity. The product may also be damaged.

## Instructions and recommendations

### 1 - Please read carefully :

We strongly recommend to read carefully and understand the safety instructions before attempting to operate this unit.

### 2 - Please keep this manual :

We strongly recommend to keep this manual with the unit for future reference.

### 3 - Operate carefully this product :

We strongly recommend to take into consideration every safety instruction.

### 4 - Follow the instructions:

Please carefully follow each safety instruction to avoid any physical harm or property damage.

### 5 - Avoid water and wet locations :

Do not use this product in rain, or near washbasins or other wet locations.

### 6 - Installation :



We strongly encourage you to only use a fixation system or support recommended by the manufacturer or supplied with this product. Carefully follow the installation instructions and use the adequate tools.

Always ensure this unit is firmly fixed to avoid vibration and slipping while operating as it may result in physical injury.

### 7 - Ceiling or wall installation :

Please contact your local dealer before attempting any ceiling or wall installation.

### 8 - Ventilation :

The cooling vents ensure a safe use of this product, and avoid any overheating risk.

Do not obstruct or cover these vents as it may result in overheating and potential physical injury or product damage. This product should never be operated in a closed non-ventilated area such as a flight case or a rack, unless cooling vents are provided for the purpose .

### 9 - Heat exposure :

Sustained contact or proximity with warm surfaces may cause overheating and product damages. Please keep this product away from any heat source such as a heaters, amplifiers, hot plates, etc...

### 10 - Electric power supply :



This product can only be operated according to a very specific voltage. These information are specified on the label located at the rear of the product.

### 11 - Power cords protection:



Power-supply cords should be routed so that they are not likely to be walked on or pinched by items placed upon or against them, paying particular attention to cords at lugs, convenience receptacles and the point where they exit from the fixture.

### 12 - Cleaning precautions :



Unplug the product before attempting any cleaning operation. This product should be cleaned only with accessories recommended by the manufacturer. Use a damp cloth to clean the surface. Do not wash this product.

### 13 - Long periods of non use :



Disconnect the unit's main power during long periods of non use.

### 14 - Liquids or objects penetration :



Do not let any object penetrate this product as it may result in electric shock or fire. Never spill any liquid on this product as it may infiltrate the electronic components and result in electric shock or fire.

### 15 - This product should be serviced when :



Please contact the qualified service personnel if :

- The power cord or the plug has been damaged.
- Objects have fallen or liquid has been spilled into the appliance.
- The appliance has been exposed to rain or water.
- The product does not appear to operate normally.
- The product has been damaged.

### 16 - Inspection/maintenance :

Please do not attempt any inspection or maintenance by yourself. Refer all servicing to qualified personnel.

### 17 - Operating environment :



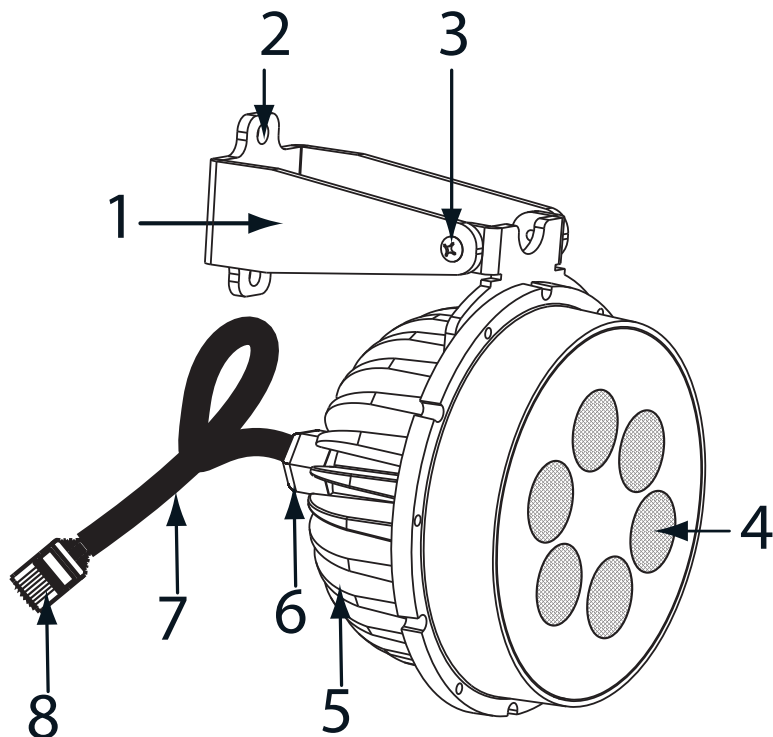
Ambient temperature and humidity: +5 - +35°C, relative humidity must be less than 85% (when cooling vents are not obstructed). Do not operate this product in a non-ventilated, very humid or warm place..

## 2 - Introduction

Your CEIL6TC-MKII is a waterproof projector equipped with 6 x 3W RGB LEDs, delivered with its fixation bracket.

It must be connected to a PILOT series power supply unit via its RJ45 socket.

## 3 - Description

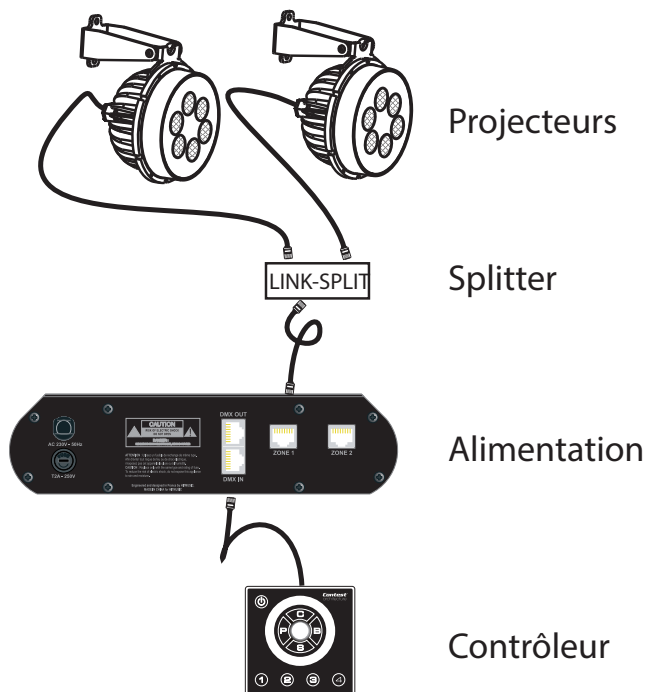


- 1 - Fixation bracket
- 2 - 2 x 5 mm holes and 1 x 10 mm hole for fixation or hooks
- 3 - Fastening screws
- 4 - Beam lens
- 5 - Aluminium housing finned for thermal dissipation
- 6 - Cable gland to ensure perfect sealing
- 7 - Multicore cable
- 8 - 8-pin RJ45 connector

## 4 - Installation

CEIL6TC-MKII projectors are passive, they must be connected to devices able to power them up and control them.

Please find the wiring diagram below.



### 4-1 : Controller:

The controller allows to remotely control the power supply unit, and thus select colours. It uses the DMX512 protocol and allows to command several channels, the PILOT-TOUCH, using 3 channels (Red, Green, Blue) is used for the sake of this example.

### 4-2 : Power supply unit:

The power supply units transforms the command signal (DMX) into power signal (+48V 350mA max.) to power up the projector LEDs. The PILOT-120, with 2 output zones, was used for the sake of this example.

### 4-3 : Splitter:

The splitter allows to multiply the number of projectors on the same chain. Most of the times, it also allows to reduce cable length. It can feature RJ45 (LINK-SPLIT) connectors or waterproof connectors (LINK-IPBOX).

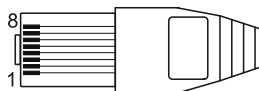
### 4-4 : Cables:

RJ45 connectors are used for their simplicity and small size. They are different cable lengths (LINK-RJ). Please make sure to connect your device as indicated below.

## 5 - RJ45 socket pinout

Pins	Thread colour	RGBW LED matching
1	Black	Red +
2	Brown	Green +
3	Red	Blue +
4	N/A	
5	Orange	Red -
6	Yellow	Green -
7	Green	Blue -
8	N/A	

Fiche RJ45 8 broches  
Vue côté des broches



## 6 - Technical specifications

### Control:

- Driver: 3-channel DMX512

### Optical:

- 6 x3W RGB LEDs
- Lenses with filter to ensure perfect light diffusion
- Almost infinite colour variations without ghosting
- No infrared or UV emission
- LEDs lifespan: 25.000 hours at full power
- Flux (Lm): 590 +/-2.5%
- Efficiency (Lm/W): 33
- Light output of 266 Lux at 3 m with white
- Beam angle: 20°

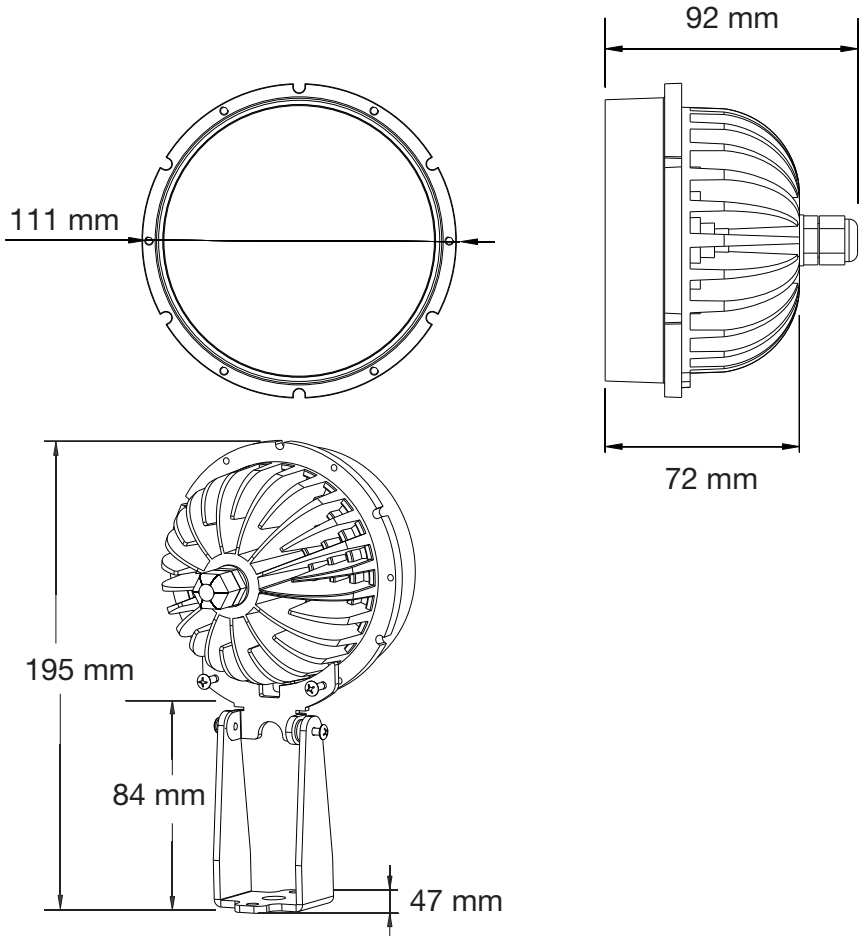
### Material:

- Extruded aluminium housing
- Convection-cooled
- Cable gland to ensure perfect sealing
- IP tightness: 65 (fully protected against dust and water splashes)

### Additional characteristics:

- Power supply: 12-48V, DC 350 mA (max)
- Power supply: 18 W
- Compatible power and command blocks: PILOT60/120/240
- Cable: 1m Cat.5e with 8-pin RJ45 connector
- Operating temperature: -10°C ~ 40°C
- Dimensions: diameter 111 mm x length 72 mm (without cable gland) 92mm (with cable gland)
- Weight : 775 g

## 7 - Dimensions



Because CONTEST® takes the utmost care in its products to make sure you only get the best possible quality, our products are subjects to modifications without prior notice. That is why technical specifications and the products physical configuration might differ from the illustrations.

Make sure you get the latest news and updates about the CONTEST® products on [www.contest-lighting.com](http://www.contest-lighting.com)  
CONTEST® is a trademark of HITMUSIC S.A.S. - Zone Cahors sud - 46230 FONTANES - FRANCE