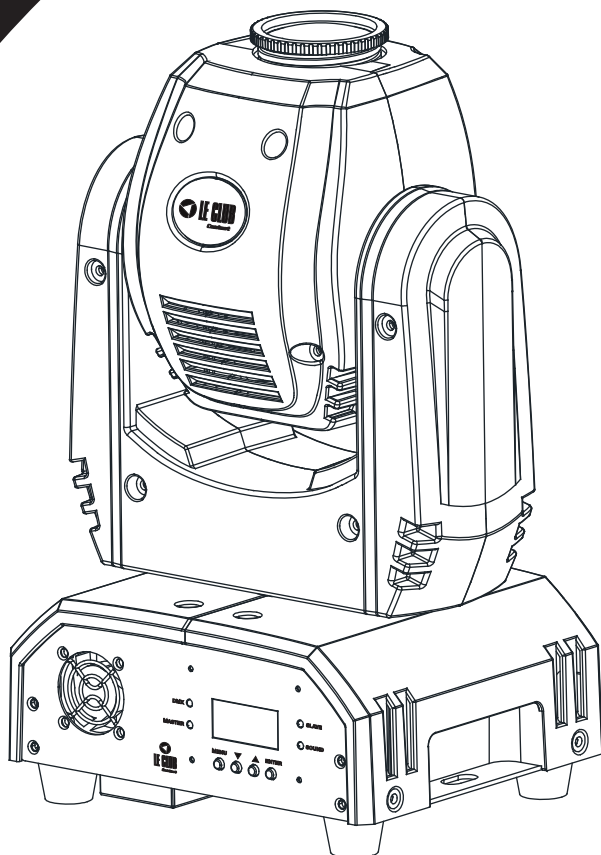




LE CLUB
Contest

60W SPOT MOVING HEAD



Blast-60

USER GUIDE

10312 - 1 January 2015 version

1 - Safety information

Important safety information



This unit is intended for indoor use only. Do not use it in a wet, or extremely cold/hot locations. Failure to follow these safety instructions could result in fire, electric shock, injury, or damage to this product or other property.



This product contains non-isolated electrical components. Do not undertake any maintenance operation when it is switched on as it may result in electric shock.



Any maintenance procedure must be performed by a CONTEST authorised technical service. Basic cleaning operations must thoroughly follow our safety instructions.



CAUTION
RISK OF ELECTRIC SHOCK
DO NOT OPEN



WARNING : This unit contains no user-serviceable parts. Do not open the housing or attempt any maintenance by yourself. In the unlikely even your unit may require service, please contact your nearest dealer. In order to avoid any electrical malfunction, please do not use any multi-socket, power cord extension or connecting system without making sure they are perfectly isolated and present no defect.



Warning

This product is equipped with Class 2 LEDs. Please avoid looking directly at the beam as it may cause severe eye injuries.



Risk of electrocution

To prevent the hazard of electric shocks, do not use extension cords, multi-socket or any other connection system without making sure metal parts completely are out of reach.



Recycling your device

- As HITMUSIC is really involved in the environmental cause, we only commercialise clean, ROHS compliant products.
- When this product reaches its end of life, take it to a collection point designated by local authorities. The separate collection and recycling of your product at the time of disposal will help conserve natural resources and ensure that it is recycled in a manner that protects human health and the environment.

Symbols used



This symbol signals an important safety precaution.



The CAUTION symbol signals a risk of product deterioration.



The WARNING symbol signals a risk to the user's physical integrity. The product may also be damaged.



Note : The legislation requires that every device set up in a public space features a double fixation bracket. This security system must hold 10 times the weight of the device.

Instructions and recommendations

1 - Please read carefully :

We strongly recommend to read carefully and understand the safety instructions before attempting to operate this unit.

2 - Please keep this manual :

We strongly recommend to keep this manual with the unit for future reference.

3 - Operate carefully this product :

We strongly recommend to take into consideration every safety instruction.

4 - Follow the instructions:

Please carefully follow each safety instruction to avoid any physical harm or property damage.

5 - Avoid water and wet locations :

Do not use this product in rain, or near washbasins or other wet locations.

6 - Installation :



We strongly encourage you to only use a fixation system or support recommended by the manufacturer or supplied with this product. Carefully follow the installation instructions and use the adequate tools.

Always ensure this unit is firmly fixed to avoid vibration and slipping while operating as it may result in physical injury.

7 - Ceiling or wall installation :

Please contact your local dealer before attempting any ceiling or wall installation.

8 - Ventilation :

The cooling vents ensure a safe use of this product, and avoid any overheating risk.

Do not obstruct or cover these vents as it may result in overheating and potential physical injury or product damage. This product should never be operated in a closed non-ventilated area such as a flight case or a rack, unless cooling vents are provided for the purpose .

9 - Heat exposure :

Sustained contact or proximity with warm surfaces may cause overheating and product damages. Please keep this product away from any heat source such as a heaters, amplifiers, hot plates, etc...

10 - Electric power supply :



This product can only be operated according to a very specific voltage. These information are specified on the label located at the rear of the product.

11 - Power cords protection:



Power-supply cords should be routed so that they are not likely to be walked on or pinched by items placed upon or against them, paying particular attention to cords at lugs, convenience receptacles and the point where they exit from the fixture.

12 - Cleaning precautions :



Unplug the product before attempting any cleaning operation. This product should be cleaned only with accessories recommended by the manufacturer. Use a damp cloth to clean the surface. Do not wash this product.

13 - Long periods of non use :



Disconnect the unit's main power during long periods of non use.

14 - Liquids or objects penetration :



Do not let any object penetrate this product as it may result in electric shock or fire. Never spill any liquid on this product as it may infiltrate the electronic components and result in electric shock or fire.

15 - This product should be serviced when :



Please contact the qualified service personnel if :

- The power cord or the plug has been damaged.
- Objects have fallen or liquid has been spilled into the appliance.
- The appliance has been exposed to rain or water.
- The product does not appear to operate normally.
- The product has been damaged.

16 - Inspection/maintenance :

Please do not attempt any inspection or maintenance by yourself. Refer all servicing to qualified personnel.

17 - Operating environment :



Ambient temperature and humidity: +5 - +35°C, relative humidity must be less than 85% (when cooling vents are not obstructed). Do not operate this product in a non-ventilated, very humid or warm place..

2 - Technical specifications

Light source

- › 60W CW LED - 50 000 hours (expected)
- › Condenser lens
- › Beamwidth: 14°
- › Low temperature, low power consumption, can be operated non-stop for many hours

Effects

- › Adjustable strobe, random strobe and pulse effect
- › Adjustable electronic dimmer: 0 - 100%
- › 1 colour wheel with 8 colours+open per dichroic filter
- › 1 gobo wheel with 6 rotating gobos+open
- › Adjustable rotation speed
- › Gobo shake function

Control

- › Standard DMX-512
- › 1 / 8 / 12 DMX channels
- › Simplified controls (EASY-2 Compatible)
- › Built-in music-sensitive programs (via the internal mic)
- › Simplified controls of several units (with the Master/Slave mode)
- › Drop-down display to assign and choose the different modes

Movements

- › PAN and TILT movements
- › Movement range: Pan 540°, Tilt 270°
- › Position memory, Pan and Tilt auto repositioning

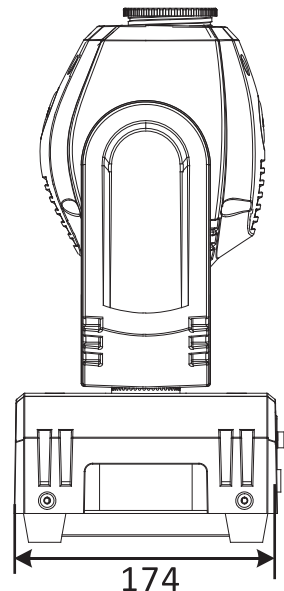
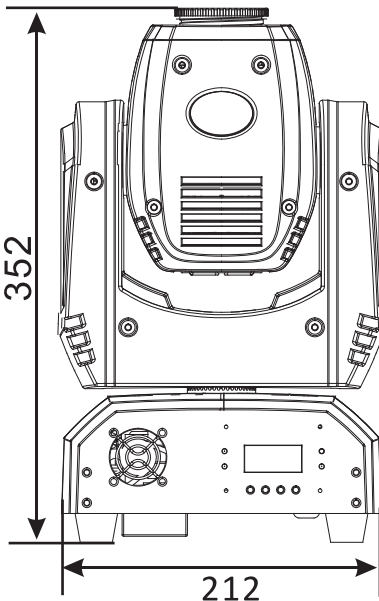
Package contents :

The package must include the following articles:

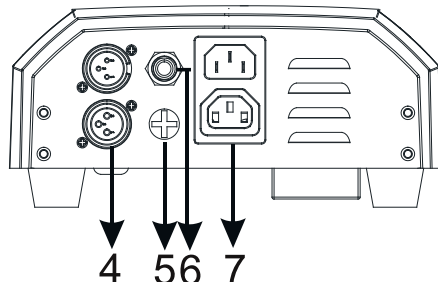
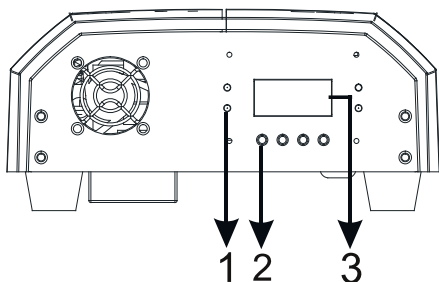
- › The projector
- › The user guide
- › 1x2-pole + earth IEC power cord
- › 1 fixation bracket

Additional characteristics

- › Holding brackets with Omega holders
- › Power consumption : 70 W maximum
- › Power supply : 100/230V - 50/60Hz, AC
- › Dimensions : 212 x 174 x 352 mm
- › Net weight: 5.3 Kg



3 - Panels description



1 Indicator LEDs

These 4 LEDs indicate the device status.

LED	Indication
DMX	Is ON when the DMX mode is activated
MASTER	is ON when the Master mode is activated
SLAVE	is ON when the Slave mode is activated
SOUND	Flashes when the Sound-sensitive mode is activated

2 Menu settings

MENU

Press MENU to access and select the functions.

ENTER

Press ENTER to access a sub-menu and or save changes selected via the UP and DOWN buttons.

UP and DOWN

Press UP or DOWN to increase/decrease the adjustable values or browse the sub-menus.

3 Display

This intuitive display allows you to configure your projector. Please refer to the next paragraphs for more details about the projector configuration. The display backlight can be deactivated via the Back Light command menu.

4 DMX input/output

3-pin male/female XLR plugs hardwired as follows :

- Mass: 1
- Negative signal: 2
- Positive signal: 3

5 Fuse

If need to replace the fuse, please make sure the new fuse has exactly the same characteristics as the original one.

6 Stereo Jack 6.35 input

This input allows you to plug in the EASY-2 optional remote control.

Only the EASY-2 remote control should use this input, as plugging other devices may result in severe damages to the internal electrics.

7 Power input/output

Allows you to connect the projector to an electrical outlet. Please make sure the voltage is in adequation with the product indications. Link two projectors together via a Male/Female IEC cord. You can daisy chain up to 8 projectors.

4 - Internal menu

4.1 - Menus and functions description

Once turned on, the moving head will start a position initialisation for each motor.

At this stage, the display indicates Le Club
CONTEST.

Once the initialisation is over, the display will indicate BLAST
60, you will then be able to access the menu using the MENU or ENTER buttons

If the menu remains inactive for 30 seconds, the display will indicate BLAST
60 and locks. To access the menu again, press ENTER.

MENU	UP and DOWN	Action	ENTER
DMX Address	001-512	DMX address selection Press ENTER and select the adress with UP and DOWN	Saves changes
Channel Mode	1 Chan	1 channel : Select the pre-programmed sequences: 1 - 4	Press ENTER, mode selection with UP and DOWN
	8 Chan	8 channels : Pan, Tilt, Dimmer, Strobe, Colour wheel, Gobo wheel, Gobo rotation, Functions	
	12 Chan	12 channels : Pan, , Tilt, Movement macros, Movement macros speed, Dimmer, Strobe, Colour wheel, Gobo wheel, Gobo rotation, Effect macros, Effect macros speed, Functions	
Show Mode	Show 1	Show 1 : PAN = 540° / TILT = 180°	Shows are music-sensitive. Please make sure the music-sensitive mode is activated and the microphone sensitivity is configured (Sound Mode menu). Refer to paragraph 4.3 for more information about movement ranges for each show. Show 0 starts a 1 - 4 show sequencing.
	Show 2	Show 2 : PAN = 540° / TILT = 100°	
	Show 3	Show 3 : PAN = 540° / TILT = 180°	
	Show 4	Show 4 : PAN = 180° / TILT = 100°	
Slave Mode	Slave 1	Determines how the device reacts in Slave mode : - Slave 1 : The device replicates the Master device movements. - Slave 2 : The device replicates in reverse the Master device movements.	Saves changes
	Slave 2		
Dimmer Curve	Mode 1	Adjusts the dimmer configuration. Refer to paragraph 4.2 for more information about these curves.	Saves changes
	Mode 2		
	Mode 3		
	Mode 4		
Dimmer Speed	Fast	Adjusts the dimmer speed.	Saves changes
	Smooth		
Sound Mode	On	Activates or deactivates the music-sensitive mode. Press ENTER and select On or Off with the UP and DOWN buttons.	Saves changes
	Off		
Sound Sense	000-100	Adjusts the microphone sensitivity (for music-sensitive modes) . When the value is 000, the microphone is deactivated.	Saves changes

BlackOut Mode	On Off	Activates or deactivates the Black out mode. When ON is selected, the moving head automatically starts in black out mode when turned on. When Off is selected, the moving head automatically launches shows when turned on. Press ENTER and select On or Off with the UP and DOWN buttons.	Saves changes
Back Light	On Off	Activates or deactivates the display backlight. Press ENTER and select On or Off with the UP and DOWN buttons. When Off, the display automatically turns off after a 30-second inactivity period.	Saves changes
Pan Reverse	No Yes	Activates the PAN movement reversion when the Slave and Show modes are activated, or in DMX mode. Press ENTER and select Yes or No with UP and DOWN.	Saves changes
Tilt Reverse	No Yes	Activates the TILT movement reversion when the Slave mode is activated, or in DMX mode. Press ENTER and select Yes or No with UP and DOWN.	Saves changes
Auto Test	Test...	Tests each function.	Launches the test
LED Temperat.	XXX	Displays the temperature of the projector head (Celsius degrees).	No action
Fixture Hours	XXX	Displays the total operating hours since the product was switched on for the first time.	No action
Software Version	A :UX.X b :UX.X	Displays the current software versions. A refers to the operating software. b refers to the booting software.	No action
Reset		Resets the device	Resets

4.2 - Initial position settings

After initialising, the moving head is automatically positioned on its original positions.

You can configure this positions as it pleases you.

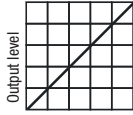
Enter the DMX Address menu, then press ENTER for more than 3 seconds. You are now accessing the initial position settings.

Pan Offset	-127 +127	PAN movement initial position settings.
Tilt Offset	-127 +127	TILT movement initial position settings.
Gobo Offset	-127 +127	Gobo wheel movement initial position settings.
Color Offset	-127 +127	Colour wheel movement initial position settings.

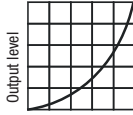
4.3 - Description of the 4 DIMMER CURVE modes

The DIMMER CURVE modes allow you to adjust the dimmer reactions.

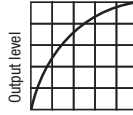
The diagrams below indicate the output level evolution according to the chosen DIMMER CURVE mode and DMX Dimmer channel level.



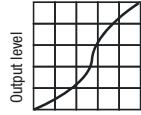
Mode 1 : Linear



Mode 2 : Exponential



Mode 3 : Parabolic

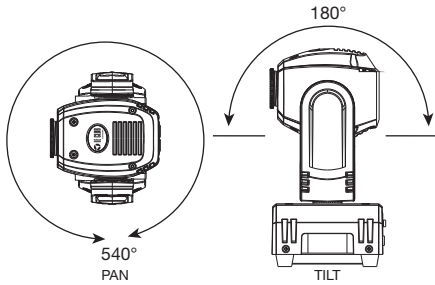


Mode 4 : S-shaped

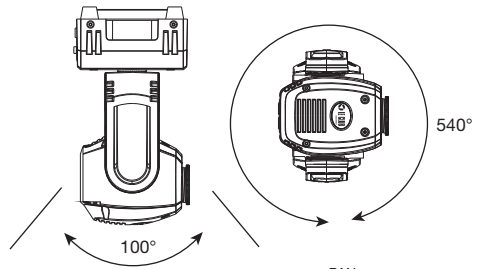
4.4 - Movement limitations

In order to avoid lighting effects over untargeted areas (such as ceilings, room angles, etc.) each show has its own PAN and TILT ranges.

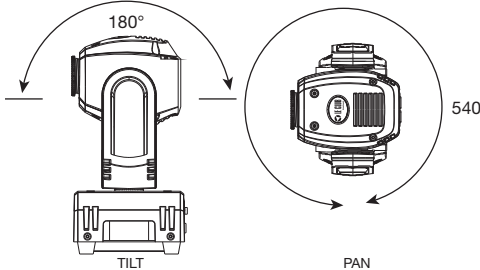
Show 1



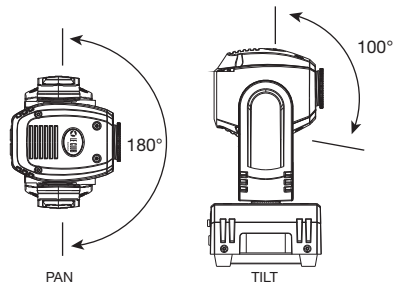
Show 2



Show 3



Show 4



5 - The various DMX modes

As soon as a DMX signal is detected via the DMX IN input, the DMX mode is automatically activated.

5.1 - 1-channel mode

Channel	Values	Action
1	000 - 007	Black-out
	008 - 015	Show 0 (not music-sensitive)
	016 - 063	Show 1 (Music-sensitive)
	064 - 111	Show 2 (Music-sensitive)
	112 - 159	Show 3 (Music-sensitive)
	160 - 207	Show 4 (Music-sensitive)
	208 - 255	Show 0 (Music-sensitive)

5.2 - 8-channel mode

Channel	Values	Action
1	000 - 255	PAN movement: 540°
2	000 - 255	TILT movement: 270°
3	Main dimmer	
	000 - 007	Black-Out
	008 - 255	Dimmer: 0% - 100%
4	Strobe	
	000 - 015	Open
	016 - 131	Stroboscope at increasing speed
	132 - 139	Open
	140 - 181	Pulse effect
	182 - 189	Open
	190 - 231	Reversed Pulse effect
	232 - 239	Open
	240 - 247	Random strobe
248 - 255	Open	
5	Colour wheel	
	000 - 014	White (open)
	015 - 028	Red
	029 - 042	Orange
	043 - 056	Yellow
	057 - 070	Green
	071 - 084	Blue
	085 - 098	Magenta
	099 - 112	Sky blue
	113 - 127	Pink
	128 - 189	Clockwise rainbow effect : From fast to slow
190 - 193	No rotation	
194 - 255	Counterclockwise rainbow effect: From slow to fast	
6	Gobo wheel	
	000 - 009	Open
	010 - 018	Gobo 1
	019 - 027	Gobo 2
	028 - 036	Gobo 3
	037 - 045	Gobo 4
	046 - 054	Gobo 5
	055 - 063	Gobo 6
	064 - 073	Open/White Shake effect
	074 - 082	Gobo 1 Shake effect
	083 - 091	Gobo 2 Shake effect

5.2 - 8-channel mode (continuation and end)

6	092 - 100	Gobo 3 Shake effect
	101 - 110	Gobo 4 Shake effect
	111 - 119	Gobo 5 Shake effect
	120 - 127	Gobo 6 Shake effect
	128 - 189	Clockwise gobos rotation : From fast to slow
	190 - 193	No rotation
	194 - 255	Counterclockwise gobos rotation : From slow to fast
7	Rotating gobos	
	000 - 009	No rotation
	010 - 120	Counterclockwise rotation
	121 - 134	No rotation
	135 - 245	Clockwise rotation
246 - 255	No rotation	
8	Special functions	
	000 - 069	No function
	070 - 079	Black-out during PAN and TILT movements
	080 - 089	No function
	090 - 099	Black-out during colour changes
	100 - 109	No function
	110 - 119	Black-out during gobo changes
	120 - 199	No function
	200 - 209	Reset all
	210 - 255	No function

5.3 - 12-channel mode

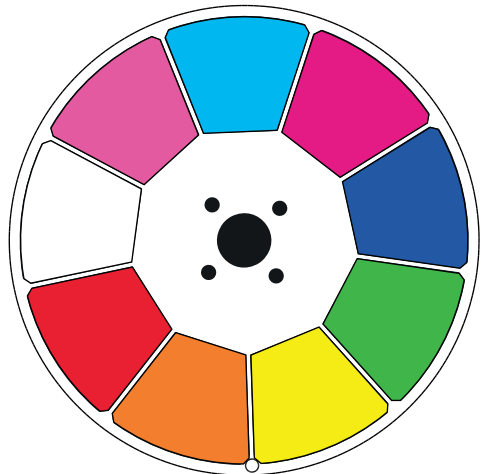
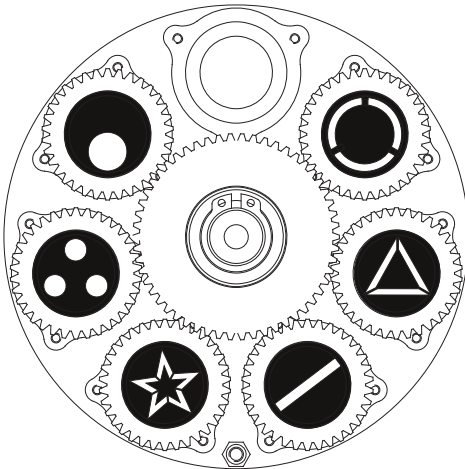
Channel	Values	Action
1	000 - 255	PAN movement: 540°
2	000 - 255	TILT movement: 270°
3	Movement macros	
	000 - 007	No action
	008 - 057	Macro 1 : Show 1 without light effects
	058 - 107	Macro 2 : Show 2 without light effects
	108 - 157	Macro 3 : Show 3 without light effects
	158 - 207	Macro 4 : Show 4 without light effects
208 - 255	Macro 5 : Show 5 without light effects	
4	Movement macros speed	
	000 - 007	No action
	008 - 247	Increasing speed
248 - 255	Music-sensitive mode	
5	Main dimmer	
	000 - 007	Black-Out
008 - 255	Dimmer: 0% - 100%	
6	Strobe	
	000 - 015	Open
	016 - 131	Stroboscope at increasing speed
	132 - 139	Open
	140 - 181	Pulse effect
	182 - 189	Open
	190 - 231	Reversed Pulse effect
	232 - 239	Open
	240 - 247	Random strobe
248 - 255	Open	

5.3 - 12-channel mode (continuation and end)

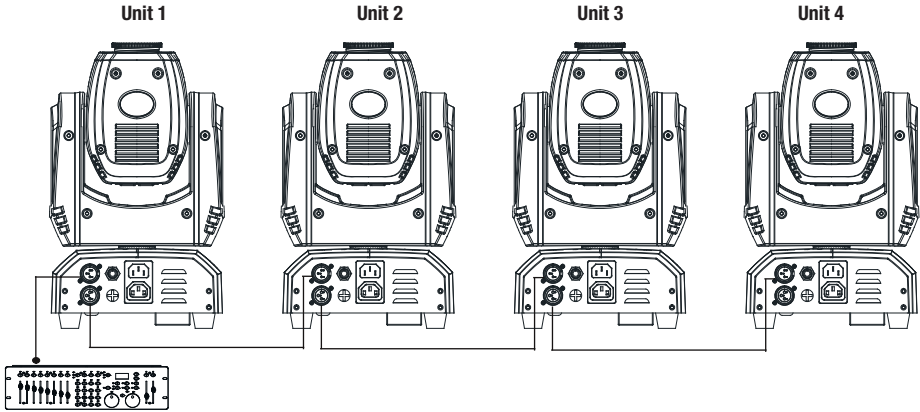
7	Colour wheel	
	000 - 014	White (open)
	015 - 028	Red
	029 - 042	Orange
	043 - 056	Yellow
	057 - 070	Green
	071 - 084	Blue
	085 - 098	Magenta
	099 - 112	Sky blue
	113 - 127	Pink
	128 - 189	Clockwise rainbow effect : From fast to slow
	190 - 193	No rotation
194 - 255	Counterclockwise rainbow effect: From slow to fast	
8	Gobo wheel	
	000 - 009	Open
	010 - 018	Gobo 1
	019 - 027	Gobo 2
	028 - 036	Gobo 3
	037 - 045	Gobo 4
	046 - 054	Gobo 5
	055 - 063	Gobo 6
	064 - 073	Open/White Shake effect
	074 - 082	Gobo 1 Shake effect
	083 - 091	Gobo 2 Shake effect
	092 - 100	Gobo 3 Shake effect
	101 - 110	Gobo 4 Shake effect
	111 - 119	Gobo 5 Shake effect
	120 - 127	Gobo 6 Shake effect
	128 - 189	Clockwise gobos rotation : From fast to slow
190 - 193	No rotation	
194 - 255	Counterclockwise gobos rotation : From slow to fast	
9	Rotating gobos	
	000 - 009	No rotation
	010 - 120	Counterclockwise rotation
	121 - 134	No rotation
	135 - 245	Clockwise rotation
246 - 255	No rotation	
10	Effect macros	
	000 - 007	No action
	008 - 057	Macro 1 : Show 1 with gobos , colours, gobos rotation, no movement
	058 - 107	Macro 2 : Show 2 with gobos , colours, gobos rotation, no movement
	108 - 157	Macro 3 : Show 3 with gobos , colours, gobos rotation, no movement
	158 - 207	Macro 4 : Show 4 with gobos , colours, gobos rotation, no movement
208 - 255	Macro 5 : Show 0 with gobos , colours, gobos rotation, no movement	
11	Effect macros speed	
	000 - 007	No action
	008 - 247	Increasing speed
248 - 255	Music-sensitive mode	

12	Special functions	
	000 - 069	No action
	070 - 079	Black-out during PAN and TILT movements
	080 - 089	No action
	090 - 099	Black-out during colour changes
	100 - 109	No action
	110 - 119	Black-out during gobo changes
	120 - 199	No action
	200 - 209	General reset (if one of these values is selected for more than 3 seconds)
	210 - 255	No action

5.4 - Gobo and colour wheels



6 - DMX cabling and addressing for each mode



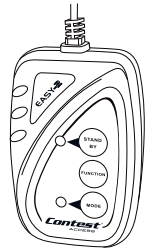
DMX console

DMX mode	Unit 1 address	Unit 2 address	Unit 3 address	Unit 4 address
1 channel	1	2	3	4
8 channels	1	9	17	25
12 channels	1	13	25	37

7 - How to use the EASY-2 remote control (optional)

The EASY-2 remote control is straightforward and easy to install. It is able to control several synchronised units with the Master/Slave mode.

Plug your remote control into the Master projector Jack 6.35 chassis called «ONLY FOR REMOTE CONTROL», and daisy chain the additional units via the XLR plugs, as you would for a regular DMX cabling. This remote control gives you access to the following functions: black-out, strobe, and show selection.



Button	Action		
STAND - BY	Black-out		
FUNCTION	For each pressure and when hold down : 1 : Synchronised strobe 2 : Asynchronous strobe 3 : Music-sensitive strobe	For each pressure: 1 : Show 1 2 : Show 2 3 : Show 3 4 : Show 4	1 : For each pressure: Colour changes 2 : For each pressure and when hold down : Gobo change
MODE	Music-sensitive (LED OFF)	Show (Flashing LED)	Gobos and Colours (LED ON)

8 - Notes

Because CONTEST® takes the utmost care in its products to make sure you only get the best possible quality, our products are subjects to modifications without prior notice. That is why technical specifications and the products physical configuration might differ from the illustrations.

Make sure you get the latest news and updates about the CONTEST® products on www.contest-lighting.com
CONTEST® is a trademark of HITMUSIC S.A. - Zone Cahors sud - 46230 FONTANES - FRANCE