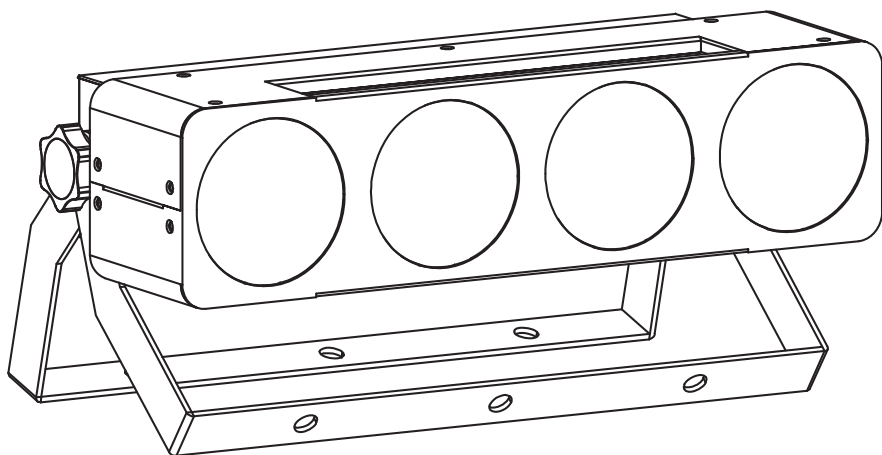


PIXXEN



PIX9W14

1 - Safety information

Important safety information



This unit is intended for indoor use only. Do not use it in a wet, or extremely cold/hot locations. Failure to follow these safety instructions could result in fire, electric shock, injury, or damage to this product or other property.



This product contains non-isolated electrical components. Do not undertake any maintenance operation when it is switched on as it may result in electric shock.



Any maintenance procedure must be performed by a CONTEST authorised technical service. Basic cleaning operations must thoroughly follow our safety instructions.



CAUTION
RISK OF ELECTRIC SHOCK
DO NOT OPEN



WARNING : This unit contains no user-serviceable parts. Do not open the housing or attempt any maintenance by yourself. In the unlikely even your unit may require service, please contact your nearest dealer. In order to avoid any electrical malfunction, please do not use any multi-socket, power cord extension or connecting system without making sure they are perfectly isolated and present no defect.



Warning

This product is equipped with Class 2 LEDs. Please avoid looking directly at the beam as it may cause severe eye injuries.



Risk of electrocution

To prevent the hazard of electric shocks, do not use extension cords, multi-socket or any other connection system without making sure metal parts completely are out of reach.



Recycling your device

- As HITMUSIC is really involved in the environmental cause, we only commercialise clean, ROHS compliant products.
- When this product reaches its end of life, take it to a collection point designated by local authorities. The separate collection and recycling of your product at the time of disposal will help conserve natural resources and ensure that it is recycled in a manner that protects human health and the environment.

Symbols used



This symbol signals an important safety precaution.



The CAUTION symbol signals a risk of product deterioration.



The WARNING symbol signals a risk to the user's physical integrity. The product may also be damaged.



Note : The legislation requires that every device set up in a public space features a double fixation bracket. This security system must hold 10 times the weight of the device.

Instructions and recommendations

1 - Please read carefully :

We strongly recommend to read carefully and understand the safety instructions before attempting to operate this unit.

2 - Please keep this manual :

We strongly recommend to keep this manual with the unit for future reference.

3 - Operate carefully this product :

We strongly recommend to take into consideration every safety instruction.

4 - Follow the instructions:

Please carefully follow each safety instruction to avoid any physical harm or property damage.

5 - Avoid water and wet locations :

Do not use this product in rain, or near washbasins or other wet locations.

6 - Installation :



We strongly encourage you to only use a fixation system or support recommended by the manufacturer or supplied with this product. Carefully follow the installation instructions and use the adequate tools.

Always ensure this unit is firmly fixed to avoid vibration and slipping while operating as it may result in physical injury.

7 - Ceiling or wall installation :

Please contact your local dealer before attempting any ceiling or wall installation.

8 - Ventilation :

The cooling vents ensure a safe use of this product, and avoid any overheating risk.

Do not obstruct or cover these vents as it may result in overheating and potential physical injury or product damage. This product should never be operated in a closed non-ventilated area such as a flight case or a rack, unless cooling vents are provided for the purpose .

9 - Heat exposure :

Sustained contact or proximity with warm surfaces may cause overheating and product damages. Please keep this product away from any heat source such as a heaters, amplifiers, hot plates, etc...

10 - Electric power supply :



This product can only be operated according to a very specific voltage. These information are specified on the label located at the rear of the product.

11 - Power cords protection:



Power-supply cords should be routed so that they are not likely to be walked on or pinched by items placed upon or against them, paying particular attention to cords at lugs, convenience receptacles and the point where they exit from the fixture.

12 - Cleaning precautions :



Unplug the product before attempting any cleaning operation. This product should be cleaned only with accessories recommended by the manufacturer. Use a damp cloth to clean the surface. Do not wash this product.

13 - Long periods of non use :



Disconnect the unit's main power during long periods of non use.

14 - Liquids or objects penetration :



Do not let any object penetrate this product as it may result in electric shock or fire. Never spill any liquid on this product as it may infiltrate the electronic components and result in electric shock or fire.

15 - This product should be serviced when :



Please contact the qualified service personnel if :

- The power cord or the plug has been damaged.
- Objects have fallen or liquid has been spilled into the appliance.
- The appliance has been exposed to rain or water.
- The product does not appear to operate normally.
- The product has been damaged.

16 - Inspection/maintenance :

Please do not attempt any inspection or maintenance by yourself. Refer all servicing to qualified personnel.

17 - Operating environment :



Ambient temperature and humidity: +5 - +35°C, relative humidity must be less than 85% (when cooling vents are not obstructed).

Do not operate this product in a non-ventilated, very humid or warm place..

2 - Main characteristics

This projector is equipped with 4x9W tricolour LEDs with an optical system designed to focus beams and have more impact.

The PIX9W14 is designed for ambient lighting or decorations, but also for animation effects thanks to its sequencing programs across several projectors.

• Features:

- Black metal housing
- Suspension bracket
- Rear display
- Internal thermal protection

• Functions:

- Drop-down display to:
 - › Configure the DMX address
 - › Choose the number of channels 2, 3, 4, 5, 6, 12 or 15 channels
 - › Step/Fade programs selection
 - › Choose the preset colours
- Slave mode
- Multi-slave mode to create sequences with multiple devices
- Music-sensitive mode with mic sensitivity settings

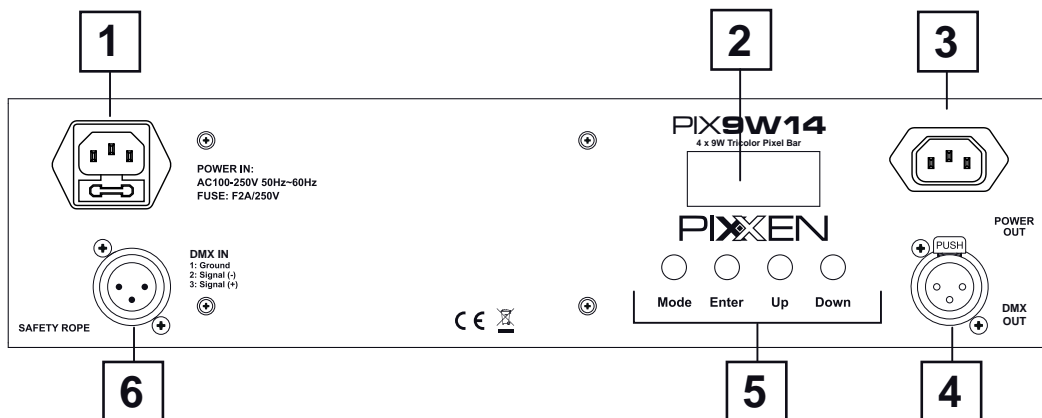
• Package contents:

- The package must contain the following products:
 - › A projector
 - › A user guide
 - › An IEC 2 pole + earth power cord

3 - Technical specifications

- 4 LEDs
- 9W tricolour LEDs
- Beamwidth: 25°
- 3-pin XLR DMX input/output
- Power input/output via 5-pin IEC sockets (daisy chain up to 20 projectors)
- Power consumption: 48W
- Power supply: 100/240V, AC - 50/60Hz
- Convection cooling
- Dimensions: 340 x 140 x 140 mm
- Net weight: 2.9 Kg

4 - Description



1 Power input socket

Allows you to plug the projector.

Please make sure the voltage is in adequation with the product indications.

Fuse : If need to replace the fuse, please make sure the new fuse has exactly the same characteristics as the original one.

2 Display

This intuitive display allows you to configure your projector. Please refer to the next paragraphs for more details about the projector configuration.

3 Power output socket

Allows you to daisy chain up to 20 projectors with an IEC cord.

4 DMX OUT

3-pin female XLR plug hardwired as follows :

- Mass: 1
- Negative signal: 2
- Positive signal: 3

5 Menu buttons

MODE button

Allows you to access menus and select a function.

ENTER button

Allows you to configure the parameters of the functions chosen with the MODE button.

UP and DOWN buttons

Allow you to increase/decrease the adjustable values or browse the submenus.

6 DMX IN

3-pin female XLR plug hardwired as follows :

- Mass: 1
- Negative signal: 2
- Positive signal: 3

5 - Internal menu

5.1 - Submenus and functions

MODE	ENTER	UP and DOWN	Action
<div style="border: 1px solid black; padding: 2px; margin-bottom: 5px;"> MACRO C:XX FS:XX </div> <div style="border: 1px solid black; padding: 2px; margin-bottom: 5px;"> MACRO M:XX SP:XX </div> MACRO MODE	1 : Selection 2 : Speed	1 : Colours and macros selection 2 : Strobe or speed settings	Fixed colours selection and sequences. In this mode the LEDs change their colour at the same time. - If a colour has been selected pressing ENTER gives you access to strobe settings. - If a macro has been selected pressing ENTER gives you access to speed settings.
<div style="border: 1px solid black; padding: 2px;"> PATTERN P:XX SP:XX </div> PATTERN MODE	1 : Selection 2 : Sequences speed	1 : Patterns selection 2 : Speed settings	Patterns selection. In this mode the LEDs act independently, like a chaser.
<div style="border: 1px solid black; padding: 2px;"> PATTERN INVERT ON/OFF </div> PATTERNS INVERSION	Activates the function	ON or OFF	This function reverses the patterns.
<div style="border: 1px solid black; padding: 2px;"> AUTO RUN SP:XX </div> AUTOMATIC MODE	Speed settings	Speed from 1 - 99	Patterns are launched one after another at the speed selected via the SP submenu.
<div style="border: 1px solid black; padding: 2px;"> AUDIO MODE SENS:XX </div> MUSIC-SENSITIVE MODE	Mic sensitivity settings	Sensitivity from 1 - 99	Patterns are launched one after another and are music-sensitive. The SENS determines the mic sensitivity.
<div style="border: 1px solid black; padding: 2px;"> MULTI MS MASTER/W/N </div> MULTI-SLAVE MODE	1 : Activates the function 2 : Number of slaves selection	<div style="border: 1px solid black; padding: 2px; margin-bottom: 5px;"> MULTI MS SLAVE 1 </div> ----- <div style="border: 1px solid black; padding: 2px;"> MULTI MS SLAVE 10 </div>	Allows you to spread patterns across several PIX9W14 units (up to 10 max). Please refer to next page for more details about this function.
<div style="border: 1px solid black; padding: 2px;"> NO DMX MODE XXXXX </div> NO DMX MODE	Configures the projector reaction when no DMX signal is detected	<div style="border: 1px solid black; padding: 2px; margin-bottom: 5px;"> NO DMX MODE CLOSE </div> ----- <div style="border: 1px solid black; padding: 2px; margin-bottom: 5px;"> NO DMX MODE HOLD </div> ----- <div style="border: 1px solid black; padding: 2px; margin-bottom: 5px;"> NO DMX MODE AUTO </div> ----- <div style="border: 1px solid black; padding: 2px;"> NO DMX MODE AUDIO </div>	Close : The projector blacks-out Hold : The projector holds onto the last information received Auto : Switches to Auto mode Audio : Switches to music-sensitive mode
<div style="border: 1px solid black; padding: 2px;"> SLAVE MODE </div> SLAVE MODE	Activates the slave mode		The unit is in slave mode and awaits a signal from another PIX9W14.
<div style="border: 1px solid black; padding: 2px;"> DMX MODE ADDR:XXX CH:XX </div> DMX ADDRESS & NUMBER OF CHANNELS (The display will flash is the DMX signal is interrupted)	1 : DMX address 2 : Number of channels	<div style="border: 1px solid black; padding: 2px; margin-bottom: 5px;"> DMX MODE ADDR:XXX CH:02 </div> ----- <div style="border: 1px solid black; padding: 2px; margin-bottom: 5px;"> DMX MODE ADDR:XXX CH:03 </div> ----- <div style="border: 1px solid black; padding: 2px; margin-bottom: 5px;"> DMX MODE ADDR:XXX CH:04 </div> ----- <div style="border: 1px solid black; padding: 2px; margin-bottom: 5px;"> DMX MODE ADDR:XXX CH:05 </div> ----- <div style="border: 1px solid black; padding: 2px; margin-bottom: 5px;"> DMX MODE ADDR:XXX CH:06 </div> ----- <div style="border: 1px solid black; padding: 2px; margin-bottom: 5px;"> DMX MODE ADDR:XXX CH:12 </div> ----- <div style="border: 1px solid black; padding: 2px;"> DMX MODE ADDR:XXX CH:15 </div>	2 channels : Colours, Macros, Patterns / Dimmer, Speed, Music-sensitive 3 channels : R / G / B 4 channels : R / G / B / Dimmer, Strobe 5 channels : R / G / B / Dimmer / Strobe 6 channels : R / G / B / Dimmer, Speed, Music-sensitive / Strobe / Colours, Macros, Patterns 12 channels: Each colour is controlled individually for each LED 15 channels: Each colour is controlled individually for each LED / Dimmer,Speed, Music-sensitive / Strobe / Colours, Macros, Patterns

5.2 - Macros and colours details

C_01	MACRO	Red
C_02	MACRO	Orange
C_03	MACRO	Yellow
C_04	MACRO	Green
C_05	MACRO	Cyan
C_06	MACRO	Blue
C_07	MACRO	Pink
C_08	MACRO	Magenta

C_09	MACRO	Cool white
C_10	MACRO	Warm white
M_1	MACRO SP:XX	Colour macro 1: step, with speed settings
M_2	MACRO SP:XX	Colour macro 2: step, with speed settings
M_3	MACRO SP:XX	Colour macro 3: step, with speed settings
M_4	MACRO SP:XX	Colour macro 4: fade, with speed settings
M_5	MACRO SP:XX	Colour macro 5: fade, with speed settings

5.3 - Macros behaviour

Macro 1	M_1 MACRO SP:XX	10 fixed colours sequencing (Red, Orange, Yellow, Green, Cyan, Blue, Magenta, Pink, Cool white and Warm white). Step transitions.
Macro 2	M_2 MACRO SP:XX	10 fixed colours sequencing (Red, Orange, Yellow, Green, Cyan, Blue, Magenta, Pink, Cool white and Warm white). Crossfade transitions.
Macro 3	M_3 MACRO SP:XX	Non-stop crossfade from Red to Orange
Macro 4	M_4 MACRO SP:XX	Non-stop crossfade from Green to Blue
Macro 5	M_5 MACRO SP:XX	Non-stop crossfade from Warm white to Cool white

5.4 - MULTI MS mode configuration

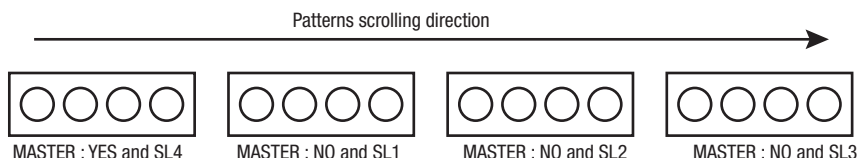
The MULTI MS mode allows you to spread patterns across several units.

For instance:

If you have 4 units:

- a - For the first unit, access the MULTI MS menu and select M/S : YES and SL4
- b - For the second unit, access the MULTI MS menu and select M/S : NO and SL3
- c - For the third unit, access the MULTI MS menu and select M/S : NO and SL2
- e - For the fourth unit, access the MULTI MS menu and select M/S : NO and SL1
- e - Set the first unit in PATTERN mode and configure the speed.

The figure below describes this installation.



6 - The various DMX modes

6.1 - 2-channel mode

Channel 1		Channel 2	
000 - 010	Off	000 - 255 : if channel 1 is set between 011 and 112 Main dimmer From 0 - 100%	
011 - 020	Red		
021 - 030	Orange		
031 - 040	Yellow		
041 - 051	Green		
052 - 061	Cyan		
062 - 071	Blue		
072 - 081	Purple		
082 - 092	Magenta		
093 - 102	Cool white		
103 - 112	Warm white		
113 - 122	Macro 1		000 - 245 : if channel 1 is set between 113 and 255 : Macro speed and patterns From slow to fast (Macros 1 to 5, patterns 1 to 8 and patterns sequencing only are concerned by the speed settings) 246 - 255 : if channel 1 is set between 164 and 255 : Music-sensitive mode. The mic sensitivity depends on the SENS value, in the AUDIO menu. (Patterns 1 to 8 and patterns sequencing only are concerned by the music-sensitive mode)
123 - 133	Macro 2		
134 - 143	Macro 3		
144 - 153	Macro 4		
154 - 163	Macro 5		
164 - 174	Pattern 1		
175 - 184	Pattern 2		
185 - 194	Pattern 3		
195 - 204	Pattern 4		
205 - 215	Pattern 5		
216 - 225	Pattern 6		
226 - 235	Pattern 7		
236 - 245	Pattern 8		
246 - 255	8-pattern sequencing	246 - 255 : if channel 1 is set between 113 and 163 (macros) : Full speed.	

Note :

- The colour macros are described in paragraph 5.3.

6.2 - 3-channel mode

	DMX value	Effect
CHANNEL 1	000 - 255	Red from 0 - 100%
CHANNEL 2	000 - 255	Green from 0 - 100%
CHANNEL 3	000 - 255	Blue from 0 - 100%

6.3 - 4-channel mode

	DMX value	Effect
CHANNEL 1	000 - 255	Red from 0 - 100%
CHANNEL 2	000 - 255	Green from 0 - 100%
CHANNEL 3	000 - 255	Blue from 0 - 100%
CHANNEL 4	000 - 189	Main dimmer from 0 - 100%
	190 - 250	Slow to fast strobe
	251 - 255	Full power

6.4 - 5-channel mode

	DMX values	Effect
CHANNEL 1	000 - 255	Red from 0 - 100%
CHANNEL 2	000 - 255	Green from 0 - 100%
CHANNEL 3	000 - 255	Blue from 0 - 100%
CHANNEL 4	000 - 255	Main dimmer from 0 - 100%
CHANNEL 5	000 - 015	No function
	016 - 255	Slow to fast strobe

6.5 - 6-channel mode

Ch 1	Ch 2	Ch 3	Ch 4	Ch 5	Ch 6
Red	Green	Blue	Dimmer / Speed / Music-sensitive	Strobe	Colours / Macros / Patterns
If channel 6 is between 000 - 010 : 000 - 255 : Red from 0 - 100%	If channel 6 is between 000 - 010 : 000 - 255 : Green from 0 - 100%	If channel 6 is between 000 - 010 : 000 - 255 : Blue from 0 - 100%	000 - 255 : if channel 6 is set between 011 and 112 Main dimmer from 0 - 100%	000 - 015 No function	000 - 010 : No function
				016 - 255 : Slow to fast strobe	011 - 020 : Red
					021 - 030 : Orange
					031 - 040 : Yellow
					041 - 051 : Green
					052 - 061 : Cyan
					062 - 071 : Blue
					072 - 081 : Purple
					082 - 092 : Magenta
					093 - 102 : Cool white
			103 - 112 : Warm white		
			113 - 122 : Macro 1		
			123 - 133 : Macro 2		
			134 - 143 : Macro 3		
			144 - 153 : Macro 4		
			154 - 163 : Macro 5		
			164 - 174 : Pattern 1		
			175 - 184 : Pattern 2		
			185 - 194 : Pattern 3		
			195 - 204 : Pattern 4		
			205 - 215 : Pattern 5		
			216 - 225 : Pattern 6		
226 - 235 : Pattern 7					
236 - 245 : Pattern 8					
	246 - 255	8-pattern sequencing			

6.6 - 12-channel mode

Channel	DMX value	Function
Channel 1	000 - 255	LED1 Red from 0 - 100%
Channel 2	000 - 255	LED1 Green from 0 - 100%
Channel 3	000 - 255	LED1 Blue from 0 - 100%
Channel 4	000 - 255	LED2 Red from 0 - 100%
Channel 5	000 - 255	LED2 Green from 0 - 100%
Channel 6	000 - 255	LED2 Blue from 0 - 100%
Channel 7	000 - 255	LED3 Red from 0 - 100%
Channel 8	000 - 255	LED3 Green from 0 - 100%
Channel 9	000 - 255	LED3 Blue from 0 - 100%
Channel 10	000 - 255	LED4 Red from 0 - 100%
Channel 11	000 - 255	LED4 Green from 0 - 100%
Channel 12	000 - 255	LED4 Blue from 0 - 100%

6.7 - 15-channel mode

Channels 1 to 12			Ch 13	Ch 14	Ch 15	
Red	Green	Blue		Strobe	Colours / Macros / Pattern	
If channel 51 is between 000 - 010 : 000 - 255 : Red from 0 - 100%	If channel 51 is between 000 - 010 : 000 - 255 : Green from 0 - 100%	If channel 51 is between 000 - 010 : 000 - 255 : Blue from 0 - 100%	<p>000 - 255 : if channel 15 is set between 011 and 112 Main dimmer From 0 - 100%</p>	000 - 015 No function	000 - 010	No function
				<p>016 - 255 : Slow to fast strobe</p>	011 - 020	Red
021 - 030	Orange					
031 - 040	Yellow					
041 - 051	Green					
052 - 061	Cyan					
062 - 071	Blue					
072 - 081	Purple					
082 - 092	Magenta					
093 - 102	Cool white					
103 - 112	Warm white					
113 - 122	Macro 1					
123 - 133	Macro 2					
134 - 143	Macro 3					
144 - 153	Macro 4					
154 - 163	Macro 5					
164 - 174	Pattern 1					
175 - 184	Pattern 2					
185 - 194	Pattern 3					
195 - 204	Pattern 4					
205 - 215	Pattern 5					
216 - 225	Pattern 6					
226 - 235	Pattern 7					
236 - 245	Pattern 8					
	246 - 255	8-pattern sequencing				

Because CONTEST® takes the utmost care in its products to make sure you only get the best possible quality, our products are subjects to modifications without prior notice. That is why technical specifications and the products physical configuration might differ from the illustrations.

Make sure you get the latest news and updates about the CONTEST® products on www.contest-lighting.com
CONTEST® is a trademark of HITMUSIC S.A. - Zone Cahors sud - 46230 FONTANES - FRANCE