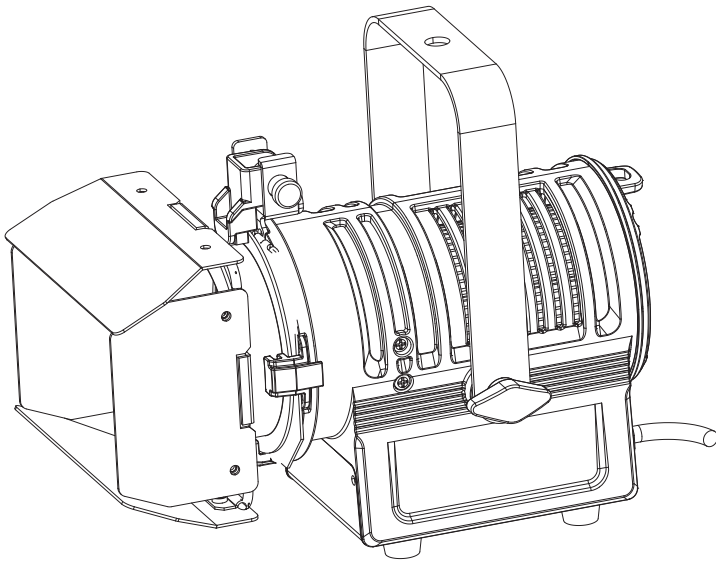


SCENE
STORE
EXPO

Sfx
scenografx



SFX-PC20 dim Wb

SFX-PC20 dim Ww

Contest® 

USER GUIDE
H10900/H10902 - Version 1 / 07-2018

1 - Safety information

Important safety information



This unit is intended for indoor use only. Do not use it in a wet, or extremely cold/hot locations. Failure to follow these safety instructions could result in fire, electric shock, injury, or damage to this product or other property.



Any maintenance procedure must be performed by a CONTEST authorised technical service. Basic cleaning operations must thoroughly follow our safety instructions.



This product contains non-isolated electrical components. Do not undertake any maintenance operation when it is switched on as it may result in electric shock.

Symbols used



This symbol signals an important safety precaution.



The WARNING symbol signals a risk to the user's physical integrity. The product may also be damaged.



The CAUTION symbol signals a risk of product deterioration.

Instructions and recommendations

1 - Please read carefully :

We strongly recommend to read carefully and understand the safety instructions before attempting to operate this unit.

2 - Please keep this manual :

We strongly recommend to keep this manual with the unit for future reference.

3 - Operate carefully this product :

We strongly recommend to take into consideration every safety instruction.

4 - Follow the instructions:

Please carefully follow each safety instruction to avoid any physical harm or property damage.

5 - Avoid water and wet locations :

Do not use this product in rain, or near washbasins or other wet locations.

6 - Installation :

We strongly encourage you to only use a fixation system or support recommended by the manufacturer or supplied with this product. Carefully follow the installation instructions and use the adequate tools. Always ensure this unit is firmly fixed to avoid vibration and slipping while operating as it may result in physical injury.

7 - Ceiling or wall installation :

Please contact your local dealer before attempting any ceiling or wall installation.

8 - Ventilation :

The cooling vents ensure a safe use of this product, and avoid any overheating risk. Do not obstruct or cover these vents as it may result in overheating and potential physical injury or product damage. This product should never be operated in a closed non-ventilated area such as a flight case or a rack, unless cooling vents are provided for the purpose .

9 - Heat exposure :

Sustained contact or proximity with warm surfaces may cause overheating and product damages. Please keep this product away from any heat source such as a heaters, amplifiers, hot plates, etc..

10 - Electric power supply :

This product can only be operated according to a very specific voltage. These information are specified on the label located at the rear of the product.

11 - Power cords protection:

Power-supply cords should be routed so that they are not likely to be walked on or pinched by items placed upon or against them, paying particular attention to cords at lugs, convenience receptacles and the point where they exit from the fixture.



CAUTION
RISK OF ELECTRIC SHOCK
DO NOT OPEN



WARNING : This unit contains no user-serviceable parts. Do not open the housing or attempt any maintenance by yourself. In the unlikely even your unit may require service, please contact your nearest dealer.

In order to avoid any electrical malfunction, please do not use any multi-socket, power cord extension or connecting system without making sure they are perfectly isolated and present no defect.



Warning

This product is equipped with Class 2 LEDs.

Please avoid looking directly at the beam as it may cause severe eye injuries.



Recycling your device

- As HITMUSIC is really involved in the environmental cause, we only commercialise clean, ROHS compliant products.
- When this product reaches its end of life, take it to a collection point designated by local authorities. The separate collection and recycling of your product at the time of disposal will help conserve natural resources and ensure that it is recycled in a manner that protects human health and the environment.

12 - Cleaning precautions :

Unplug the product before attempting any cleaning operation. This product should be cleaned only with accessories recommended by the manufacturer. Use a damp cloth to clean the surface. Do not wash this product.

13 - Long periods of non use :

Disconnect the unit's main power during long periods of non use.

14 - Liquids or objects penetration :

Do not let any object penetrate this product as it may result in electric shock or fire. Never spill any liquid on this product as it may infiltrate the electronic components and result in electric shock or fire.

15 - This product should be serviced when :

- Please contact the qualified service personnel if :
- The power cord or the plug has been damaged.
 - Objects have fallen or liquid has been spilled into the appliance.
 - The appliance has been exposed to rain or water.
 - The product does not appear to operate normally.
 - The product has been damaged.

16 - Inspection/maintenance :

Please do not attempt any inspection or maintenance by yourself. Refer all servicing to qualified personnel.

17 - Operating environment :

Ambient temperature and humidity: +5 - +35°C, relative humidity must be less than 85% (when cooling vents are not obstructed).

Do not operate this product in a non-ventilated, very humid or warm place.

2 - Technical specifications

Optique

- › 1 x 20W warm white + amber LED
- › Colour temperature: 3000°K
- › CRI 92
- › Light output of 600 Lux at 3m (39° opening)
- › Beam angle of 39° or 51°

Functions

- › Electronic dimmer
- › Power block or dimmer control possible

Connectors

- › POWER IN via 2P+E socket

Additional information

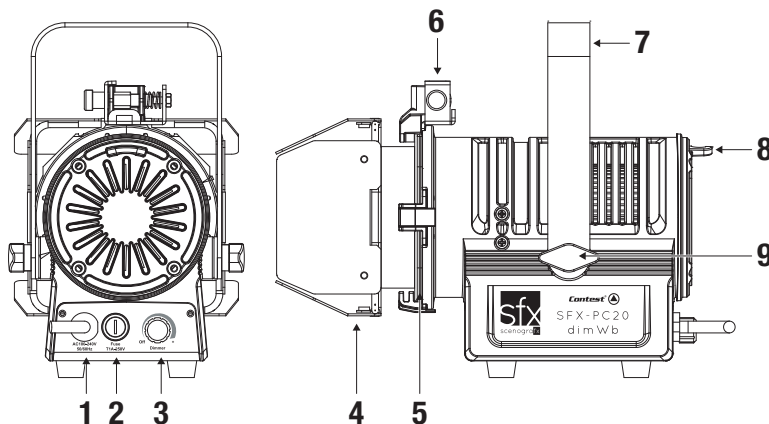
- › Power supply: 100-240V/50-60Hz
- › Power consumption: 20 W
- › Cooling system: convection-cooled, without forced ventilation
- › Finish: Black or white die-cast aluminium body
- › Dimensions: 186 x 141 x 211 mm
- › Weight : 2 kg

Package content:

The package must contain the following items:

- › The projector
- › The user guide
- › One filter holder
- › Two Frost filter
- › One copper collar
- › One rotative shutter system

3 - Description



1 Filter holder

Allows you to add a colored filter and colorize your beam.

1 Power cord

Allows you to connect your projector to the mains.
Please make sure the voltage is adequate before plugging in your projector.

2 Fuse

If need to change the fuse, please make sure the new fuse has the exact same characteristics as the old one.

3 DIMMING potentiometer

Allows you to manually adjust the light output.

4 Rotative shutters

Allow you to adjust the light output from the projector.

5 Filter holder

Allows you to add a colored filter and colorize your beam.

6 Locking latch

Allows you to lock the filter holder and/or the rotative shutter system.

7 Suspension bracket

Allows you to suspend and adjust the projector. You can also use it on the ground thanks to its support.

8 Double hook ring

Allows to fix a safety sheathed cable. For any use in public places this sheathed cable is mandatory.

9 Tightening wheel for suspension bracket

Allows to adjust the position of the projector and lock it in this position.

Because CONTEST® takes the utmost care in its products to make sure you only get the best possible quality, our products are subjects to modifications without prior notice. That is why technical specifications and the products physical configuration might differ from the illustrations.

Make sure you get the latest news and updates about the CONTEST® products on www.contest-lighting.com
CONTEST® is a trademark of HITMUSIC S.A.S - Zone Cahors sud - 46230 FONTANES - FRANCE